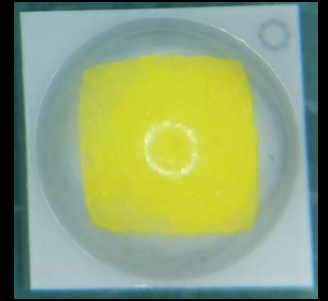


Bridgelux® SMD 3535 2W/3V Series

Product Data Sheet DS882

Introduction

SMD 3535



Features

- Package: SMT ceramic package with silicone lens
- Lumen maintenance: Test results according to IESNA LM-80 available
- ESD8kV HBM. JEDEC-JS-001-HBM and JEDEC-JS-001-2012
- Operates at a maximum current of up to 1,5A
- Hot binning @ 85 °C

Application

- Indoor Lighting: Spotlight, Downlight
- Outdoor Lighting: Street Light, Tunnel Light, Security Light, Area Light, Stadium/Arena Light
- Industrial Lighting: High Bay Light, Low Bay Light
- Consumer Lighting: Torch Light

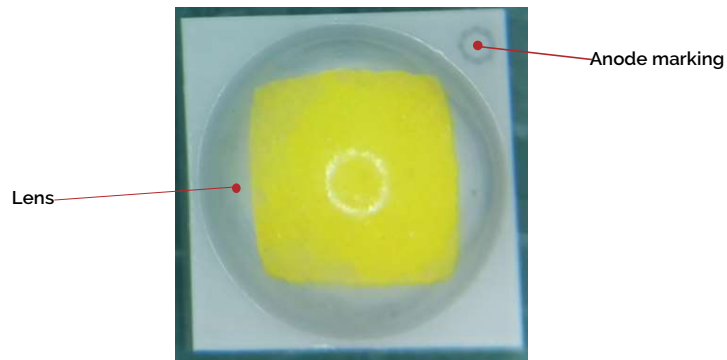
Contents

Product Feature Map	2
Product Nomenclature	2
Product Test Conditions	2
Product Selection Guide	3
Performance at Commonly Used Drive Currents	5
Electrical and Thermal Characteristics	6
Absolute Maximum Ratings	7
Product Bin Definitions	8
Performance Curves	12
Typical Radiation Pattern	15
Typical Color Spectrum	16
Mechanical Dimensions	17
Reliability	18
Reflowing Characteristics	19
Packaging	20
Design Resources	22
Precautions	22
Disclaimers	22
About Bridgelux	23

Product Feature Map

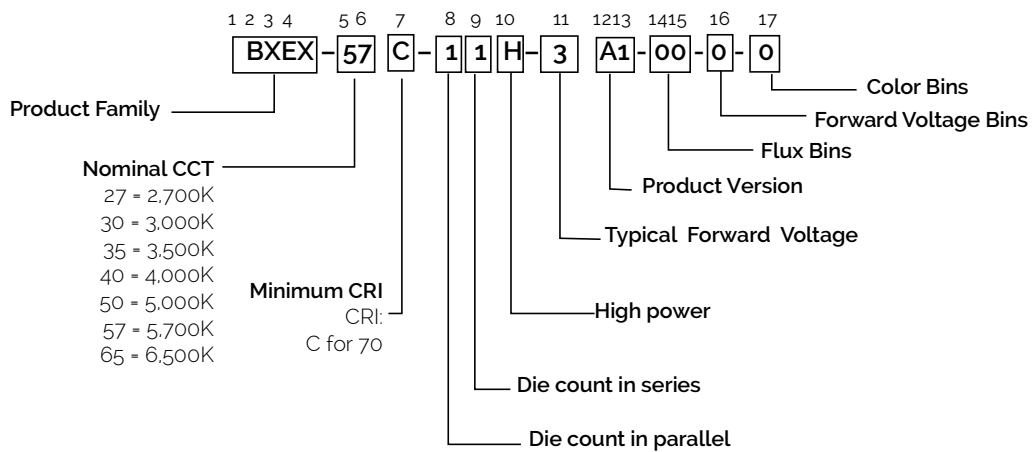
Bridgelux SMD LED products come in industry standard package sizes and follow ANSI binning standards. These LEDs are optimized for cost and performance.

helping to ensure highly competitive system lumen per dollar performance while addressing the stringent efficacy and reliability standards required for modern lighting



Product Nomenclature

The part number designation for Bridgelux SMD 3535 is explained as follows:



Product Test Conditions

Bridgelux SMD 3535 LEDs are tested and binned with a 10ms pulse of 700mA at T_j (junction temperature) = T_{sp} (solder point temperature) = 85°C. Luminous flux, color and forward voltage are binned at $T_j = T_{sp} = 85^\circ\text{C}$.

Product Selection Guide

The following product configurations are available:

Table 1: Selection Guide, Pulsed Measurement Data at 700mA ($T_j = T_{sp} = 25^\circ\text{C}$)

Part Number ^{1,6}	Nominal CCT ² (K)	CRI ^{3,5}	Nominal Drive Current (mA)	Forward Voltage ^{4,5} (V)			Typical Pulsed Flux ^{4,5} (lm)	Typical Power (W)	Typical Efficacy (lm/W)
				Min	Typical	Max			
BXEX-27C-11H-3A1-00-0-0	2700	70	700	2.80	3.00	3.20	340	2.1	162
BXEX-30C-11H-3A1-00-0-0	3000	70	700	2.80	3.00	3.20	351	2.1	167
BXEX-35C-11H-3A1-00-0-0	3500	70	700	2.80	3.00	3.20	354	2.1	169
BXEX-40C-11H-3A1-00-0-0	4000	70	700	2.80	3.00	3.20	373	2.1	178
BXEX-50C-11H-3A1-00-0-0	5000	70	700	2.80	3.00	3.20	373	2.1	178
BXEX-57C-11H-3A1-00-0-0	5700	70	700	2.80	3.00	3.20	373	2.1	178
BXEX-65C-11H-3A1-00-0-0	6500	70	700	2.80	3.00	3.20	356	2.1	169

Notes for Table 1 :

- The last 6 characters (including hyphens '-') refer to flux bins, forward voltage bins, and color bin options, respectively. "00-0-0" denotes the full distribution of flux, forward voltage, and color bin.
Example: BXEX-57C-11H-3A1-00-0-0 refers to the full distribution of flux, forward voltage, and color within a 5700K 6-step ANSI standard chromaticity region with a minimum of 70 CRI, 1x1 die configuration, high power, 3.0V typical forward voltage.
- Product CCT is hot targeted at $T_{sp} = 85^\circ\text{C}$. Nominal CCT as defined by ANSI C78.377-2011.
- Listed CRIs are minimum values and include test tolerance.
- Products tested under pulsed condition (10ms pulse width) at nominal drive current.
- Bridgelux maintains a $\pm 7.5\%$ tolerance on luminous flux measurements, $\pm 0.15\text{V}$ tolerance on forward voltage measurements, and ± 2 tolerance on CRI measurements for the SMD 3535.
- Refer to Table 6 and Table 7 for Bridgelux SMD 3535 Luminous Flux Binning and Forward Voltage Binning information.

Product Selection Guide

Table 2: Selection Guide, Pulsed Measurement Data at 700mA ($T_j = T_{sp} = 85^\circ\text{C}$)

Part Number ^{1,5}	Nominal CCT ² (K)	CRI ^{3,4}	Nominal Drive Current (mA)	Forward Voltage ⁴ (V)			Typical Pulsed Flux ⁴ (lm)	Typical Power (W)	Typical Efficacy (lm/W)
				Min	Typical	Max			
BXEX-27C-11H-3A1-00-0-0	2700	70	700	2.70	2.90	3.10	304	2.0	150
BXEX-30C-11H-3A1-00-0-0	3000	70	700	2.70	2.90	3.10	314	2.0	155
BXEX-35C-11H-3A1-00-0-0	3500	70	700	2.70	2.90	3.10	318	2.0	156
BXEX-40C-11H-3A1-00-0-0	4000	70	700	2.70	2.90	3.10	334	2.0	165
BXEX-50C-11H-3A1-00-0-0	5000	70	700	2.70	2.90	3.10	334	2.0	165
BXEX-57C-11H-3A1-00-0-0	5700	70	700	2.70	2.90	3.10	334	2.0	165
BXEX-65C-11H-3A1-00-0-0	6500	70	700	2.70	2.90	3.10	329	2.0	162

Notes for Table 2 :

- The last 6 characters (including hyphens '-') refer to flux bins, forward voltage bins, and color bin options, respectively. "00-0-0" denotes the full distribution of flux, forward voltage, and color bin.
Example: BXEX-57C-11H-3A1-00-0-0 refers to the full distribution of flux, forward voltage, and color within a 5700K 6-step ANSI standard chromaticity region with a minimum of 70CRI, 1x1 die configuration, high power, 3.0V typical forward voltage.
- Product CCT is hot targeted at $T_{sp} = 85^\circ\text{C}$. Nominal CCT as defined by ANSI C78.377-2011.
- Listed CRIs are minimum values and include test tolerance.
- Products tested under pulsed condition (10ms pulse width) at nominal drive current.
- Bridgelux maintains a $\pm 7.5\%$ tolerance on luminous flux measurements, $\pm 0.15\text{V}$ tolerance on forward voltage measurements, and ± 2 tolerance on CRI measurements for the SMD 3535.
- Refer to Table 6 and Table 7 for Bridgelux SMD 3535 Luminous Flux Binning and Forward Voltage Binning information.

Performance at Commonly Used Drive Currents

SMD 3535 LEDs specifications at nominal drive current are shown in Table 1 and Table 2. SMD 3535 may also be driven at other drive currents dependent on specific application design requirements. The performance at any drive current can be derived from the current vs. voltage characteristics shown in Figure 2 and the relative luminous flux vs. current characteristics shown in Figure 3. The performance at commonly used drive currents is summarized in Table 3.

Table 3: Performance at Commonly Used Drive Currents

Part Number	CRI	Drive Current ¹ (mA)	Typical V _f T _{sp} = 25° C (V)	Typical Power T _{sp} = 25° C (W)	Typical Pulsed Flux ² T _{sp} = 25° C (lm)	Typical Pulsed Flux ³ T _{sp} = 85° C (lm)	Typical Efficacy T _{sp} = 25° C (lm/W)
BXEX-27C-11H-3A1-00-0-0	70	50	2.64	0.1	28	25	214
		150	2.73	0.4	83	74	203
		350	2.85	1.0	183	164	183
		700	3.00	2.1	340	304	162
		1200	3.30	4.0	535	479	135
		1400	3.40	4.8	604	541	127
BXEX-30C-11H-3A1-00-0-0	70	50	2.64	0.1	29	26	221
		150	2.73	0.4	86	77	209
		350	2.85	1.0	189	169	189
		700	3.00	2.1	351	314	167
		1200	3.30	4.0	552	495	139
		1400	3.40	4.8	624	559	131
BXEX-35C-11H-3A1-00-0-0	70	50	2.64	0.1	29	26	223
		150	2.73	0.4	86	77	211
		350	2.85	1.0	191	171	191
		700	3.00	2.1	354	318	169
		1200	3.30	4.0	558	500	141
		1400	3.40	4.8	630	565	133
BXEX-40C-11H-3A1-00-0-0 BXEX-50C-11H-3A1-00-0-0 BXEX-57C-11H-3A1-00-0-0	70	50	2.64	0.1	31	28	234
		150	2.73	0.4	91	81	222
		350	2.85	1.0	201	180	201
		700	3.00	2.1	373	334	178
		1200	3.30	4.0	587	526	148
		1400	3.40	4.8	663	594	139
BXEX-65C-11H-3A1-00-0-0	70	50	2.64	0.1	30	27	230
		150	2.73	0.4	89	80	219
		350	2.85	1.0	197	177	198
		700	3.00	2.1	356	329	169
		1200	3.30	4.0	577	517	146
		1400	3.40	4.8	652	584	137

Notes for Table 3:

1. Alternate drive currents in Table 3 are provided for reference only and are not a guarantee of performance.
2. Bridgelux maintains a ± 7.5% tolerance on flux measurements.
3. Typical pulsed performance values are provided as reference only and are not a guarantee of performance.

Electrical and Thermal Characteristics

Table 4: Electrical and Thermal Characteristics

Part Number ¹	Drive Current (mA)	Forward Voltage ^{2,3} (V)			Typical Temperature Coefficient of Forward Voltage ⁴ $\Delta V_f / \Delta T$ (mV/°C)	Typical Thermal Resistance Junction to Solder Point ^{5,6} R_{j-sp} (°C/W)
		Minimum	Typical	Maximum		
BXEX-xxx-11H-3A1-00-0-0	700	2.80	3.0	3.20	-1.3	3.0

Notes for Table 4:

- The last 6 characters (including hyphens '-') refer to nominal flux, nominal forward voltage, and color bins, respectively. "00-0-0" denotes the full distribution of flux, forward voltage, and color bin.
Example: BXEX-57C-11H-3A1-00-0-0 refers to the full distribution of flux, forward voltage, and color within a 5700K ANSI standard chromaticity region with a minimum of 70 CRI.
- Products tested under pulsed condition (10ms pulse width) where $T_{sp} = 85^{\circ}\text{C}$.
- Bridgelux maintains a tolerance of $\pm 0.1\text{V}$ on forward voltage measurements.
- Products measured between 25°C and 105°C under pulsed condition (10ms pulse width).
- Thermal Resistance values based on 5700K 70 CRI product.
- Thermal resistance value was calculated using total electrical input power; optical power was not subtracted from input power.

Absolute Maximum Ratings

Table 5: Maximum Ratings

Parameter	Maximum Rating
LED Junction Temperature (T_j)	150°C
Storage Temperature	-40°C to +105°C
Operating Solder Point Temperature (T_{sp})	-40°C to +105°C
Soldering Temperature	260°C or lower for a maximum of 40 seconds
DC Forward Current	1500mA
Reverse Voltage ²	-
Peak Pulse Forward Current ¹	2000mA
Moisture Sensitivity Rating	MSL3
Electrostatic Discharge	8kV HBM. JEDEC-JS-001-HBM and JEDEC-JS-001-2012

Notes for Table 5:

1. Bridgelux recommends a maximum duty cycle of 10% and pulse width of 10 ms when operating LED SMD at maximum peak pulsed current specified. Maximum peak pulsed current indicate values where LED SMD can be driven without catastrophic failures.
2. Light emitting diodes are not designed to be driven in reverse voltage and will not produce light under this condition. no rating is provided.

Product Bin Definitions

Table 6 lists the standard photometric luminous flux bins for Bridgelux SMD 3535 LEDs. Although several bins are listed, product availability in a particular bin varies by production run and by product performance. Not all bins are available in all CCTs.

Table 6: Luminous Flux Bin Definitions at 700mA, $T_{sp}=85^{\circ}\text{C}$

Bin Code	Minimum	Maximum	Unit	Condition
D6	250	270	lm	$I_F=700\text{mA}$
D7	270	290		
D8	290	310		
D9	310	330		
E6	330	350		

Note for Table 6:

1. Bridgelux maintains a tolerance of $\pm 7.5\%$ on luminous flux measurements.

Table 7: Forward Voltage Bin Definition at 700mA, $T_{sp}=85^{\circ}\text{C}$

Bin Code	Minimum	Maximum	Unit	Condition
H	2.5	2.7	V	$I_F=700\text{mA}$
J	2.7	2.9		
K	2.9	3.1		
L	3.1	3.3		

Note for Table 7:

1. Bridgelux maintains a tolerance of $\pm 0.15\text{V}$ on forward voltage measurements.

Product Bin Definitions

Table 8: Color Bin Definition

2700K	Center_x	Center_y	Major_Axis	Minor_Axis	Angle		Color Bin	
3SDCM	0.4578	0.4101	0.0081	0.0042	53.7		1	
6SDCM	0.4578	0.4101	0.0162	0.0084	53.7		A/B/C/D	
ITEM	A		B		C		D	
Point 1	0.4655	0.424	0.4501	0.3962	0.4471	0.4079	0.4687	0.4129
Point 2	0.4615	0.4169	0.4539	0.4031	0.4523	0.4087	0.4631	0.4112

3000K	Center_x	Center_y	Major_Axis	Minor_Axis	Angle		Color Bin	
3SDCM	0.4338	0.403	0.00834	0.00408	53.22		1	
6SDCM	0.4338	0.403	0.01668	0.00816	53.22		A/B/C/D	
ITEM	A		B		C		D	
Point 1	0.4406	0.4172	0.4271	0.3888	0.4227	0.3993	0.445	0.4072
Point 2	0.4371	0.4099	0.4303	0.3957	0.4281	0.4008	0.4393	0.4048

3500K	Center_x	Center_y	Major_Axis	Minor_Axis	Angle		Color Bin	
3SDCM	0.4078	0.393	0.00927	0.00414	54		1	
6SDCM	0.4078	0.393	0.01854	0.00828	54		A/B/C/D	
ITEM	A		B		C		D	
Point 1	0.4137	0.4084	0.4019	0.3776	0.3957	0.3873	0.42	0.3992
Point 2	0.4106	0.4006	0.4048	0.3852	0.4016	0.3899	0.4138	0.3958

4000K	Center_x	Center_y	Major_Axis	Minor_Axis	Angle		Color Bin	
3SDCM	0.3818	0.3797	0.00939	0.00402	53.72		1	
6SDCM	0.3818	0.3797	0.01878	0.00804	53.72		A/B/C/D	
ITEM	A		B		C		D	
Point 1	0.3859	0.3942	0.3778	0.3652	0.3693	0.3722	0.3944	0.3877
Point 2	0.3837	0.3867	0.3797	0.3723	0.3754	0.3756	0.388	0.3834

Product Bin Definitions

Table 8: Color Bin Definition

5000K	Center_x	Center_y	Major_Axis	Minor_Axis	Angle		Color Bin	
3SDCM	0.3447	0.3553	0.00822	0.00354	59.62		1	
6SDCM	0.3447	0.3553	0.01644	0.00708	59.62		A/B/C/D	
ITEM	A		B		C		D	
Point 1	0.3458	0.3675	0.3437	0.3431	0.3344	0.3473	0.355	0.3642
Point 2	0.3452	0.3612	0.3441	0.349	0.3394	0.3512	0.3497	0.3592

5700K	Center_x	Center_y	Major_Axis	Minor_Axis	Angle		Color Bin	
3SDCM	0.3287	0.3417	0.00746	0.0032	59.09		1	
6SDCM	0.3287	0.3417	0.01492	0.0064	59.09		A/B/C/D	
ITEM	A		B		C		D	
Point 1	0.3287	0.3518	0.3288	0.3317	0.3194	0.335	0.3381	0.3499
Point 2	0.3287	0.3468	0.3287	0.3366	0.324	0.3383	0.3334	0.3451

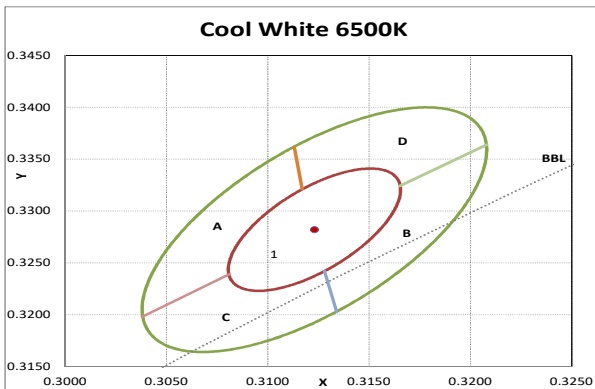
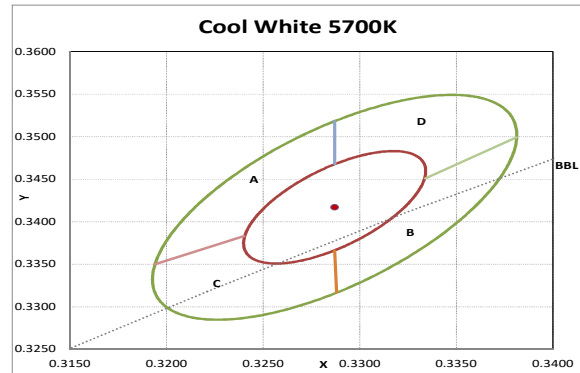
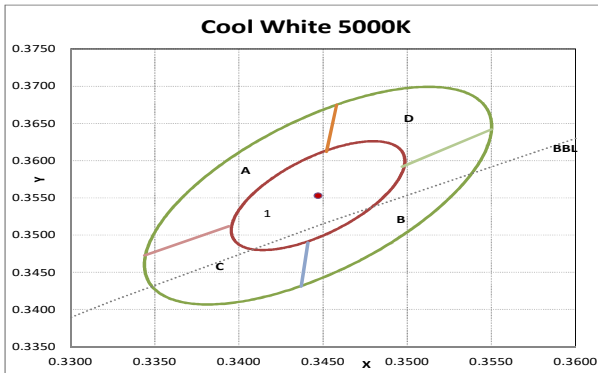
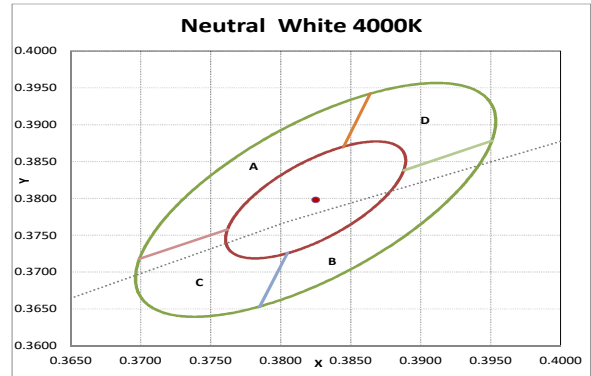
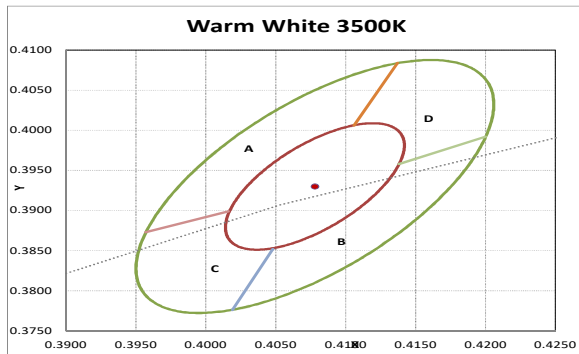
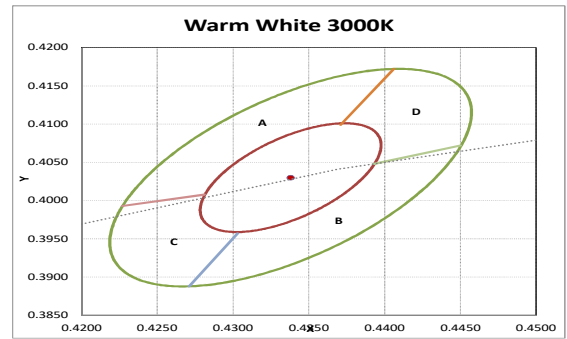
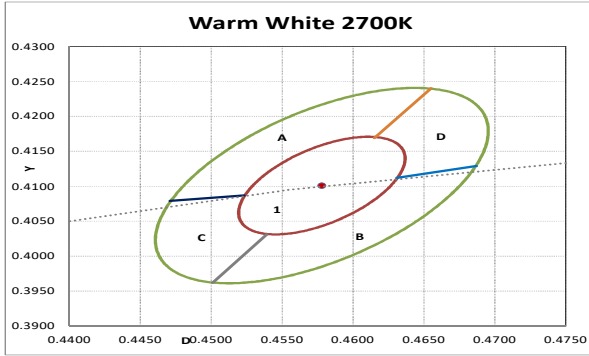
6500K	Center_x	Center_y	Major_Axis	Minor_Axis	Angle		Color Bin	
3SDCM	0.3123	0.3282	0.00669	0.00285	58.57		1	
6SDCM	0.3123	0.3282	0.01338	0.0057	58.57		A/B/C/D	
ITEM	A		B		C		D	
Point 1	0.3113	0.3362	0.3134	0.3203	0.3038	0.3198	0.3208	0.3364
Point 2	0.3117	0.3321	0.3128	0.3242	0.3081	0.3239	0.3165	0.3324

Note for Table 8:

1. Color binning at $T_{sp} = 85^{\circ}\text{C}$ unless otherwise specified
2. Bridgelux maintains a tolerance of ± 0.007 on x and y color coordinates in the CIE 1931 color space.

Product Bin Definitions

Figure 1: C.I.E. 1931 Chromaticity Diagram (5 Color Bin Structure, Hot-color Targeted at $T_{sp} = 85^{\circ}\text{C}$)



Performance Curves

Figure 2: Drive Current vs. Forward Voltage ($T_{sp}=85^{\circ}\text{C}$)

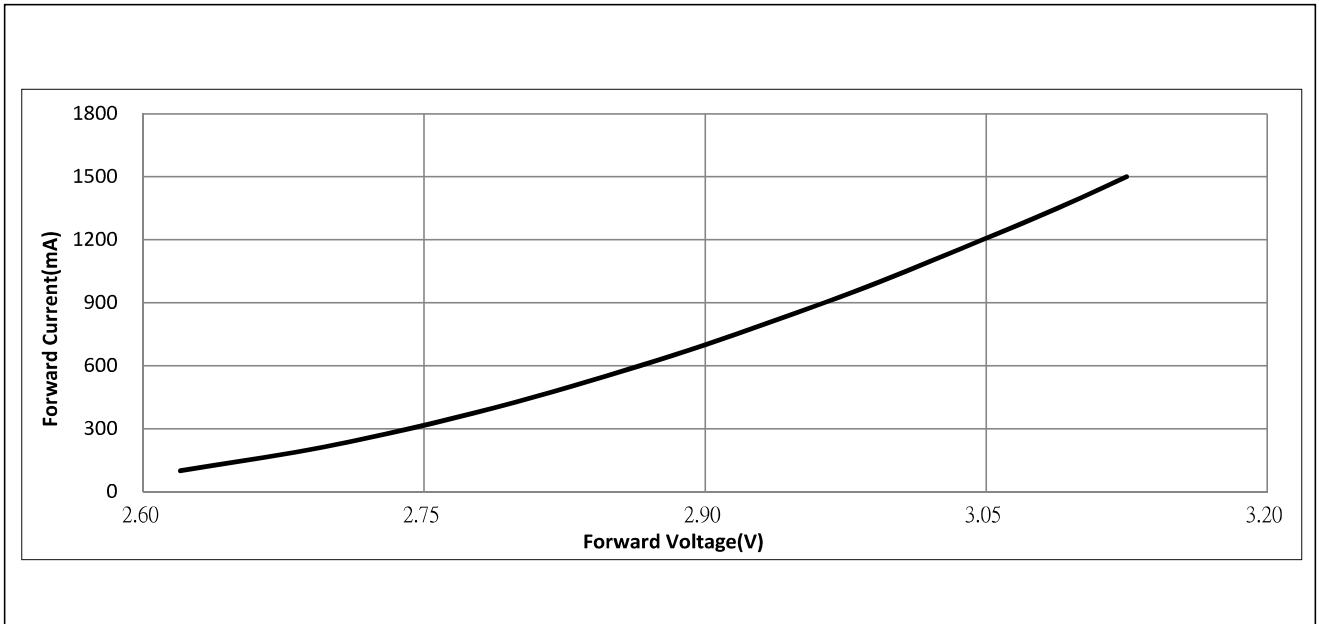
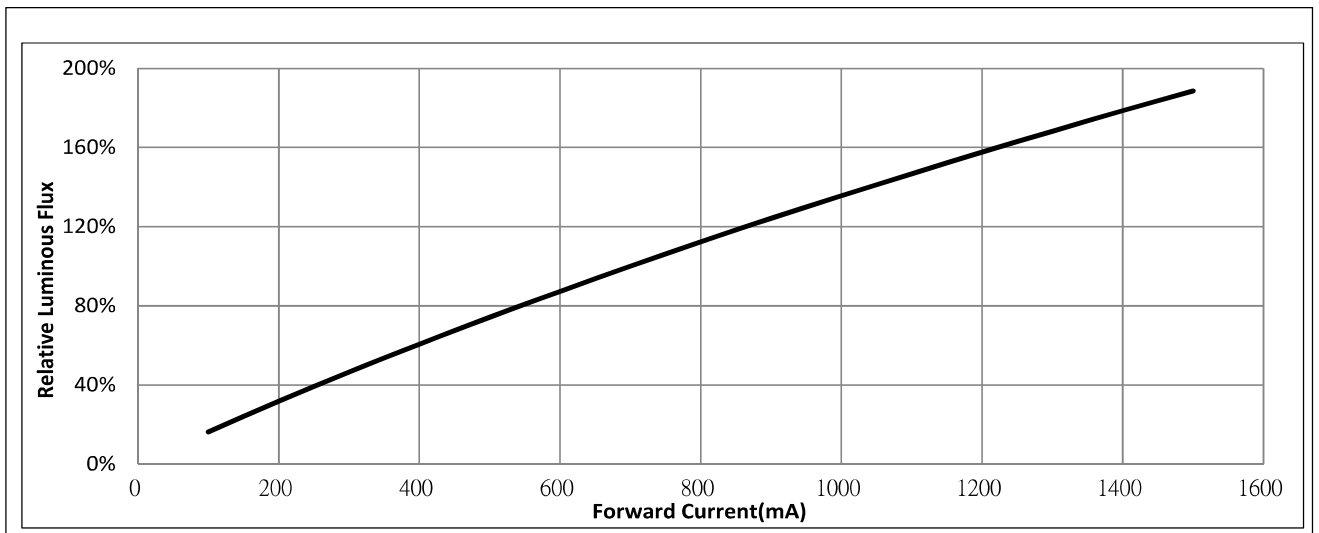


Figure 3: Typical Relative Luminous Flux vs. Drive Current ($T_{sp}=85^{\circ}\text{C}$)



Note for Figure 3:

1. Pulse width modulation (PWM) is recommended for dimming effects.

Performance Curves

Figure 4: Typical Relative Flux vs. Solder Point Temperature_700mA

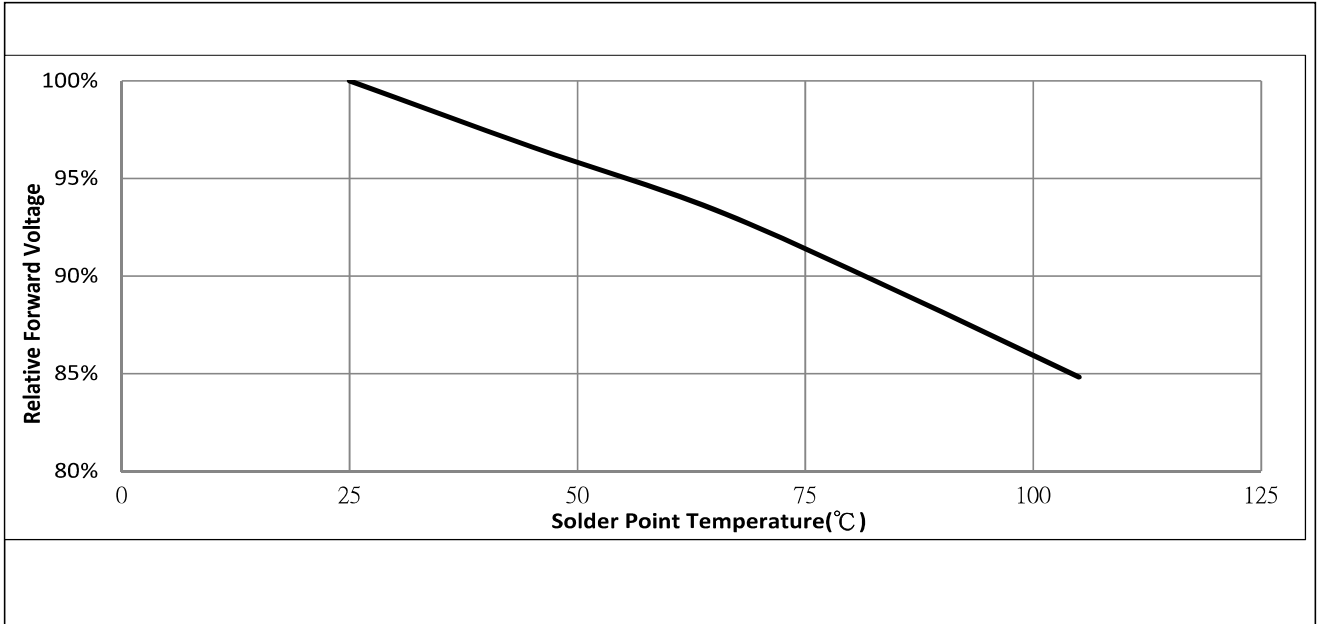
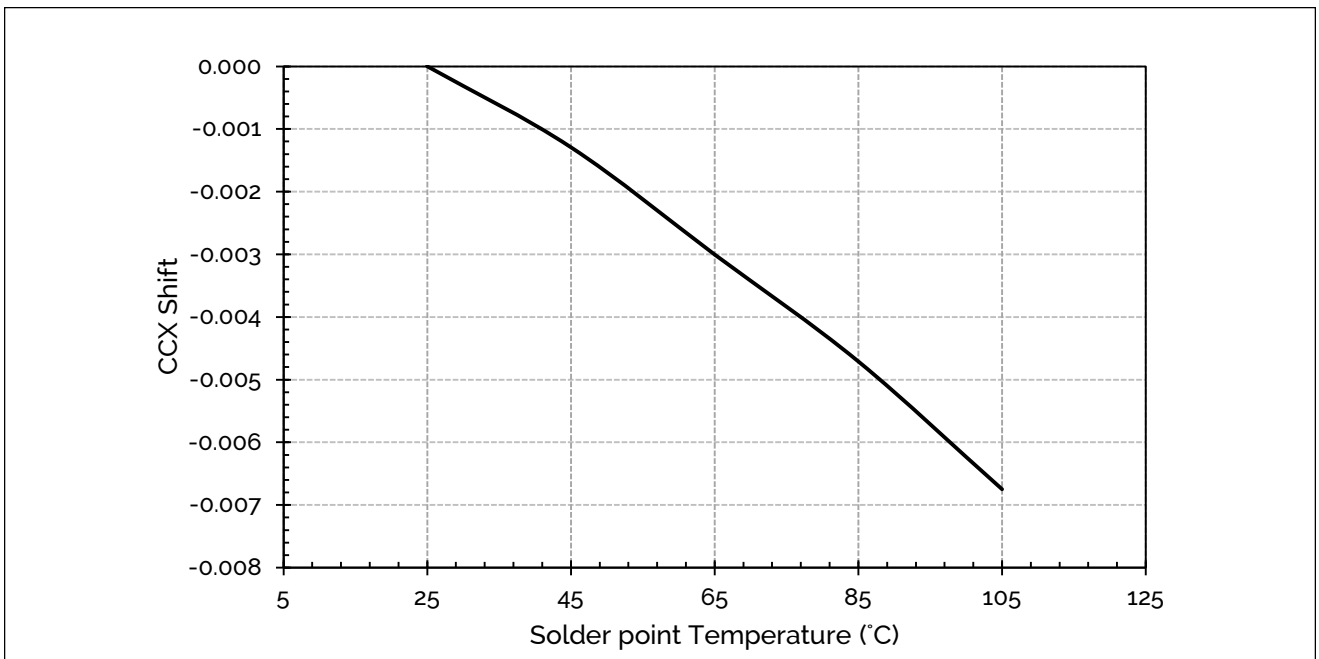


Figure 5: Typical CCX Shift vs. Solder Point Temperature_700mA

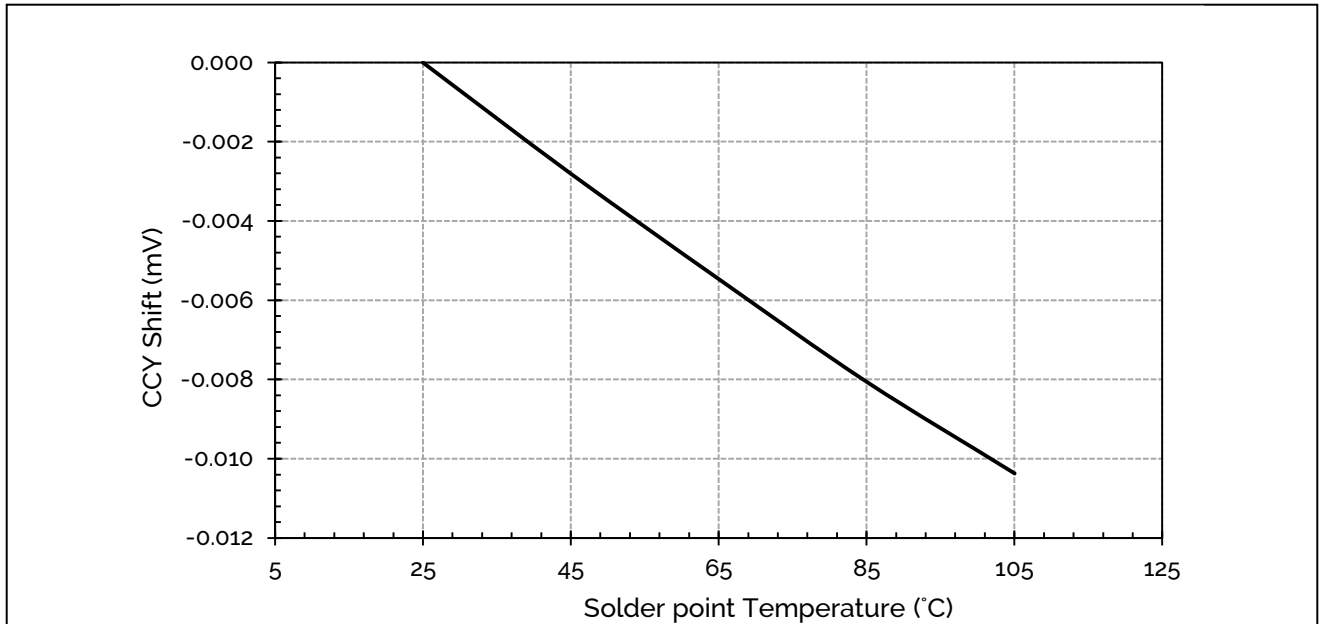


Notes for Figures 4 & 5:

1. Characteristics shown for cool white based on 5700K and 70 CRI.
2. For other color SKUs, the shift in color will vary. Please contact your Bridgelux Sales Representative for more information

Performance Curves

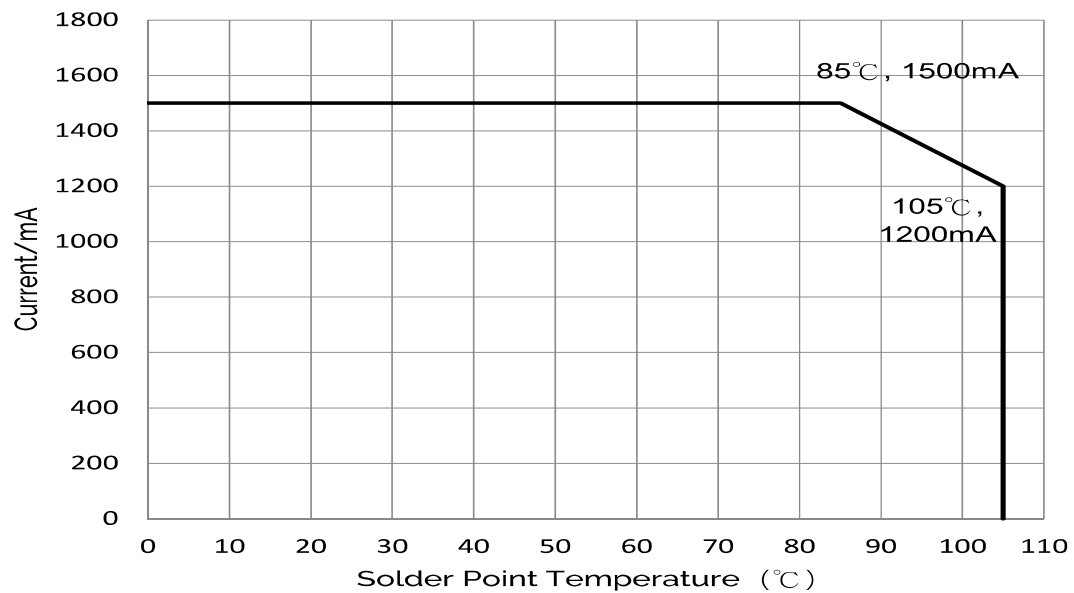
Figure 6: Typical CCY Shift vs. Solder Point Temperature_700mA



Notes for Figure 6:

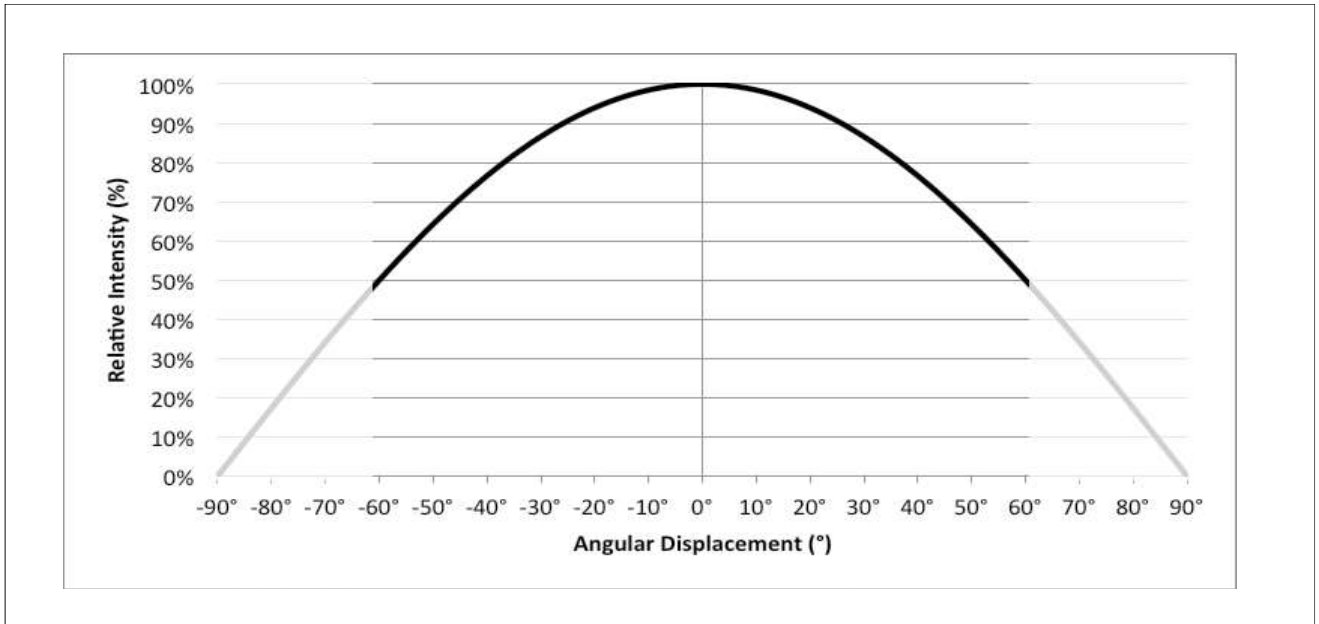
1. Characteristics shown for cool white based on 5700K and 70 CRI.
2. For other color SKUs, the shift in color will vary. Please contact your Bridgelux Sales Representative for more information

Figure 7: Drive Current vs Solder Point Temperature



Typical Radiation Pattern

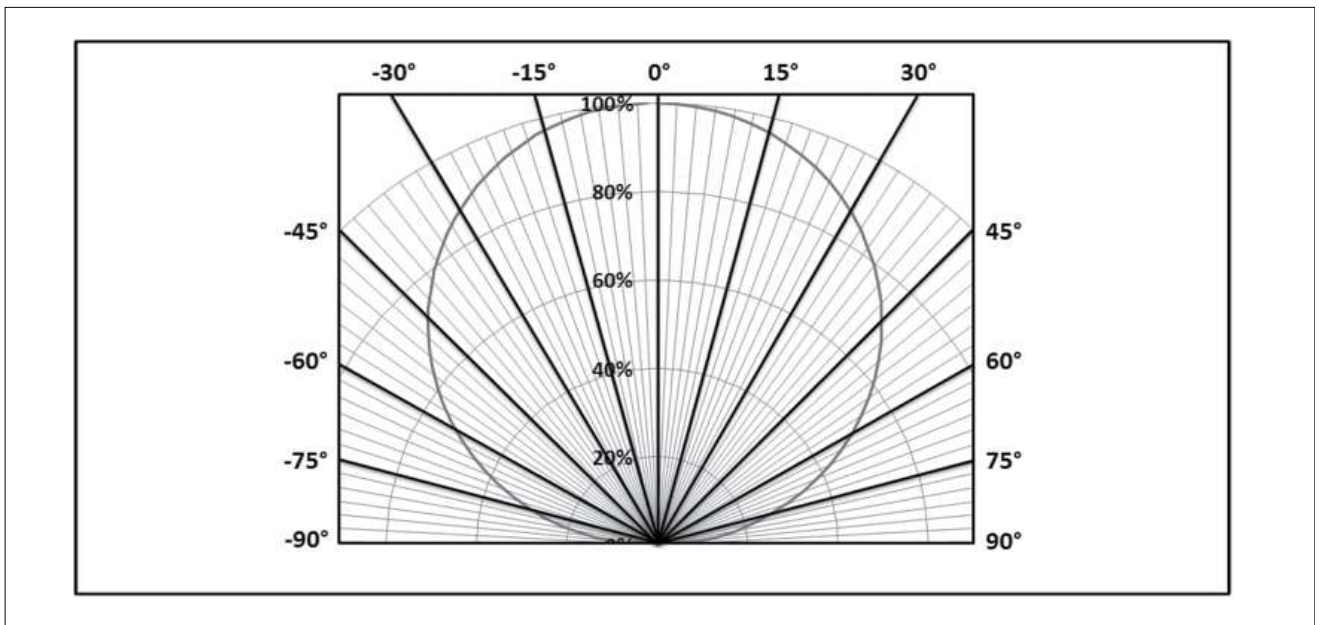
Figure 8: Typical Spatial Radiation Pattern at 700mA, $T_{sp} = 25^{\circ}\text{C}$



Notes for Figure 8:

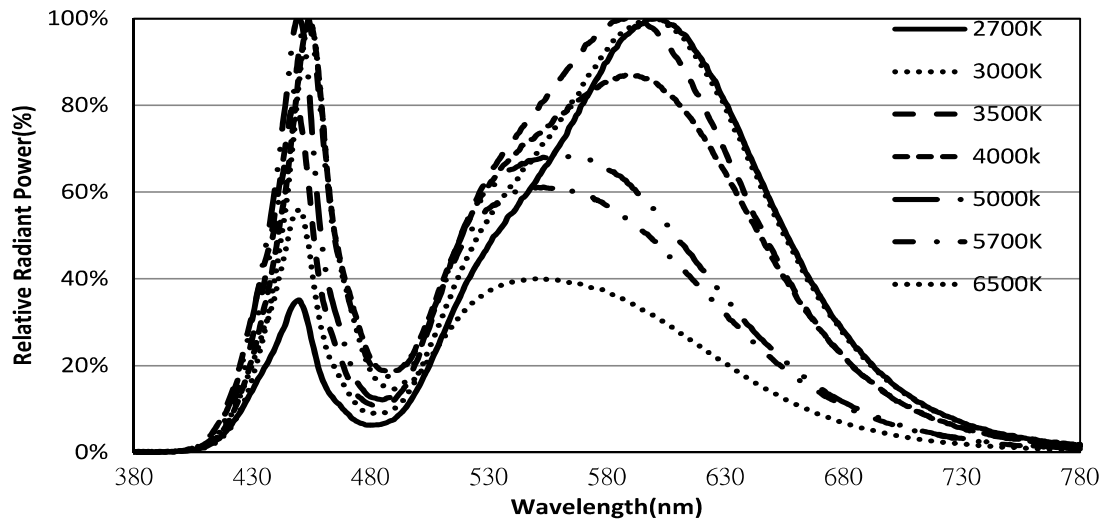
1. Typical viewing angle is 120° .
2. The viewing angle is defined as the off axis angle from the centerline where luminous intensity (Iv) is $\frac{1}{2}$ of the peak value.

Figure 9: Typical Polar Radiation Pattern at 700mA, $T_{sp} = 25^{\circ}\text{C}$



Typical Color Spectrum

Figure 10: Typical Color Spectrum

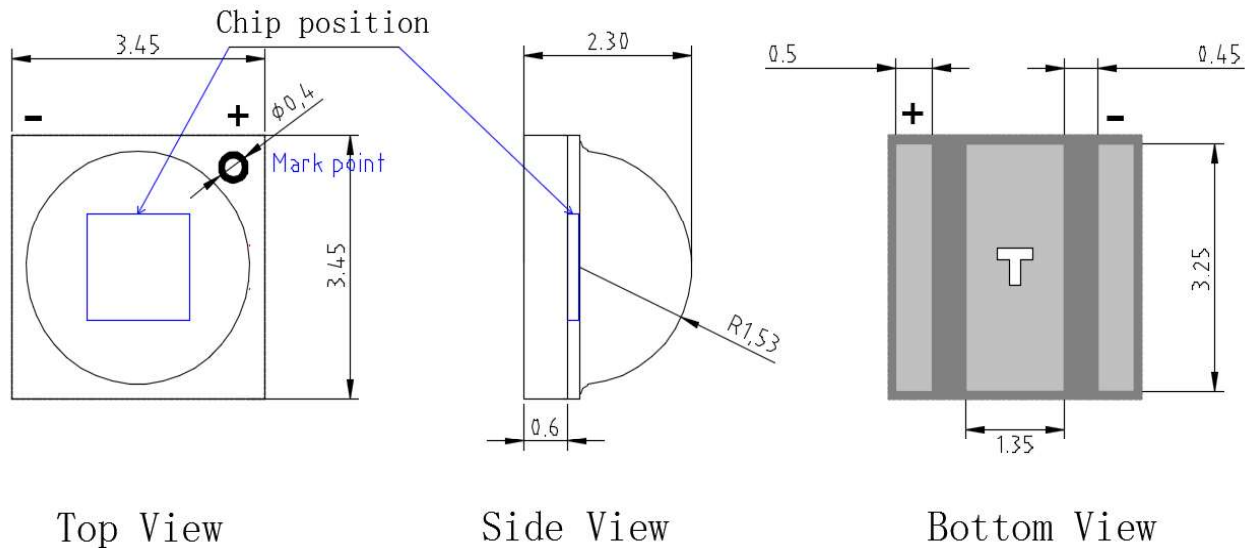


Notes for Figure 10:

1. Color spectra measured at nominal current for $T_{sp} = 85^{\circ}\text{C}$
2. Color spectra shown for 70 CRI products.

Mechanical Dimensions

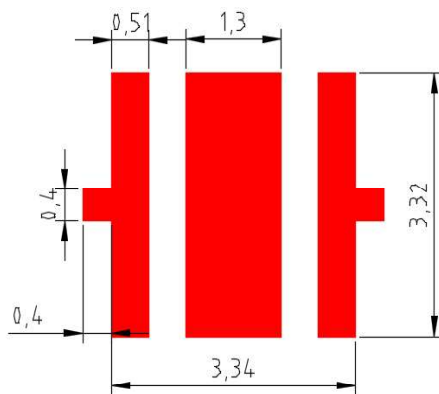
Figure 11: Drawing for SMD 3535



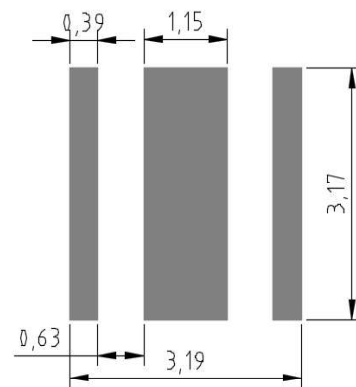
Notes for Figure 11:

1. Drawings are not to scale.
2. Drawing dimensions are in millimeters.
3. Unless otherwise specified, tolerances are ± 0.10 mm.

Welded plate and steel mesh Dimensions



Welded plate Dimensions



Steel mesh Dimensions

Reliability

Table 9: Reliability Test Items and Conditions

No.	Items	Reference Standard	Test Conditions	Drive Current	Test Duration	Units Failed/Tested
1	Moisture/reflow Sensitivity	J-STD-020E	$T_{sld} = 260^{\circ}\text{C}$, 10sec. Precondition: 85°C , 60%RH, 168hr		3 reflows	0/20
2	Low Temperature Storage	JESD22-A119	$T_a = -40^{\circ}\text{C}$		1000 hours	0/20
3	High Temperature Storage	JESD22-A103D	$T_a = 105^{\circ}\text{C}$		1000 hours	0/20
4	Low Temperature Operating Life	JESD22-A108D	$T_a = -40^{\circ}\text{C}$	700mA	1000 hours	0/20
5	Temperature Humidity Operating Life	JESD22-A101C	$T_{sp} = 85^{\circ}\text{C}$, RH=85%	700mA	1000 hours	0/20
6	High Temperature Operating Life	JESD22-A108D	$T_{sp} = 105^{\circ}\text{C}$	700mA	1000 hours	0/20
7	Thermal Shock	JESD22-A106B	$T_a = -40^{\circ}\text{C} \sim 100^{\circ}\text{C}$; Dwell: 15min; Transfer: 10sec		200 Cycle	0/20
8	Temperature Cycle	JESD22-A104E	$T_a = -40^{\circ}\text{C} \sim 100^{\circ}\text{C}$; Dwell at extreme temperature: 15min; Ramp rate < $105^{\circ}\text{C}/\text{min}$		200 Cycle	0/20
9	Electrostatic Discharge	JS-001-2012	HBM, 8KV, 15k Ω , 100pF, Alternately positive or negative			0/20

Passing Criteria

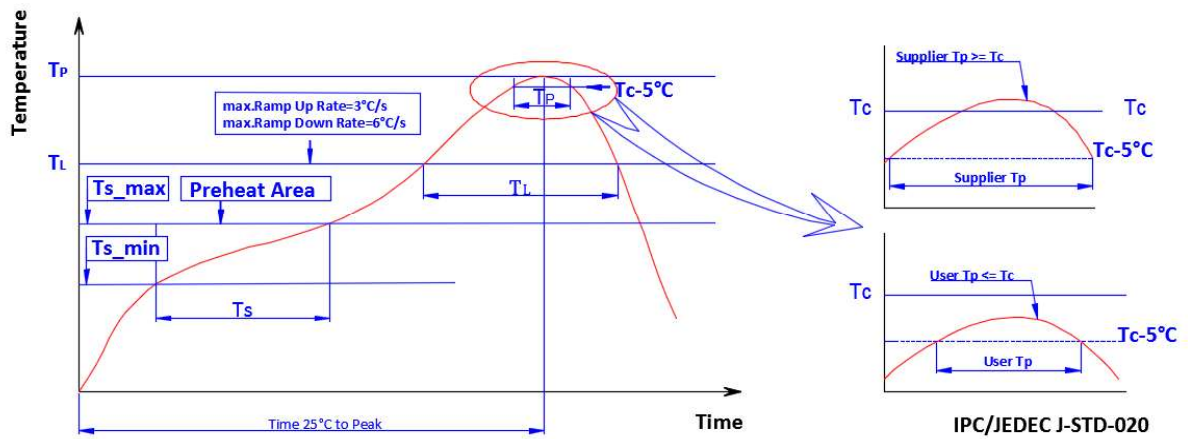
Item	Symbol	Test Condition	Passing Criteria
Forward Voltage	Vf	700mA	$\Delta V_f < 10\%$
Luminous Flux	Fv	700mA	$\Delta F_v < 30\%$
Chromaticity Coordinates	(x, y)	700mA	$\Delta u'v' < 0.007$

Notes for Table 9:

1. Measurements are performed after allowing the LEDs to return to room temperature
2. T_{sld} : reflow soldering temperature; T_a : ambient temperature

Reflowing Characteristics

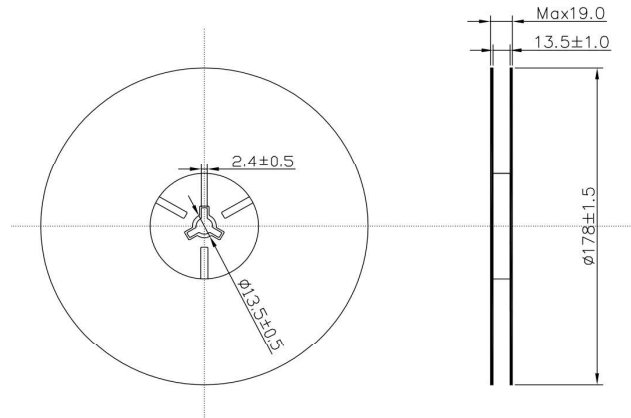
Figure 12 : Reflow Profile



Profile Feature	Lead Free Assembly
Temperature Min. (T_{s_min})	160°C
Temperature Max. (T_{s_max})	205°C
Time (ts) from T_{s_min} to T_{s_max}	60-150 seconds
Ramp-Up Rate (TL to T_p)	3°C/second
Liquidus Temperature (TL)	220°C
Time (TL) Maintained Above TL	60-150 seconds
Peak Temp(T_p)	260°C max.
Time (T_p) Within 5°C of the Specified Classification Temperature (T_c)	25 seconds max.
Ramp-Down Rate (T_p to TL)	$5^\circ\text{C/second max.}$
Time 25°C to Peak Temperature	10 minutes max.

Packaging

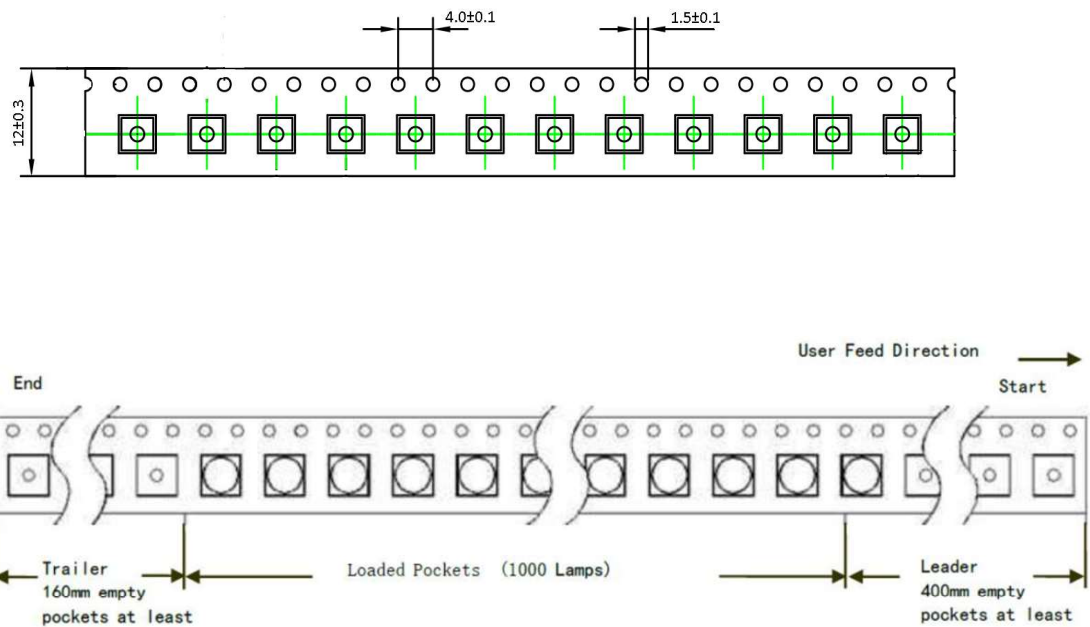
Figure 13: Emitter Reel Drawings



Note for Figure 13:

1. Drawings are not to scale. Drawing dimensions are in millimeters.

Figure 14: Emitter Tape Drawings



Note for Figure 14:

1. Drawings are not to scale. Drawing dimensions are in millimeters.

Packaging

Figure 15: Emitter Reel Packaging Drawings



Note for Figure 15:
1. Drawings are not to scale.

Design Resources

Optical Source Models

Please contact your Bridgelux sales representative for assistance.

Precautions

CAUTION: CHEMICAL EXPOSURE HAZARD

Exposure to some chemicals commonly used in luminaire manufacturing and assembly can cause damage to the LED emitter. Please consult Bridgelux Application Note AN51 for additional information.

CAUTION: EYE SAFETY

Eye safety classification for the use of Bridgelux SMD LED emitter is in accordance with IEC specification EN62471: Photobiological Safety of Lamps and Lamp Systems. SMD LED emitters are classified as Risk Group 2 when operated at or below the maximum drive current. Please use appropriate precautions. It is important that employees working with LEDs are trained to use them safely.

CAUTION: RISK OF BURN

Do not touch the SMD LED emitter during operation. Allow the emitter to cool for a sufficient period of time before handling. The SMD LED emitter may reach elevated temperatures such that could burn skin when touched.

Disclaimers

MINOR PRODUCT CHANGE POLICY

The rigorous qualification testing on products offered by Bridgelux provides performance assurance. Slight cosmetic changes that do not affect form, fit, or function may occur as Bridgelux continues product optimization.

STANDARD TEST CONDITIONS

Unless otherwise stated, LED emitter testing is performed at the nominal drive current.

About Bridgelux: Bridging Light and Life™

At Bridgelux, we help companies, industries and people experience the power and possibility of light. Since 2002, we've designed LED solutions that are high performing, energy efficient, cost effective and easy to integrate. Our focus is on light's impact on human behavior, delivering products that create better environments, experiences and returns—both experiential and financial. And our patented technology drives new platforms for commercial and industrial luminaires.

For more information about the company, please visit
bridgelux.com
twitter.com/Bridgelux
facebook.com/Bridgelux
WeChat ID: BridgeluxInChina



46410 Fremont Boulevard
Fremont, CA 94538 U.S.A.
Tel (925) 583-8400
www.bridgelux.com

© 2022 Bridgelux, Inc. All rights reserved. Product specifications are subject to change without notice. Bridgelux and the Bridgelux stylized logo design are registered trademarks of Bridgelux, Inc. All other trademarks are the property of their respective owners.